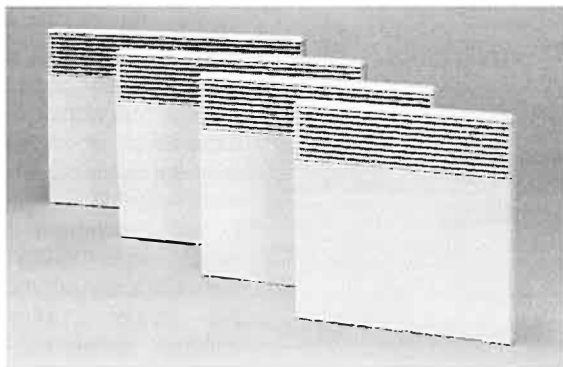


TACTIC PANEL HEATER

Instruction Manual



AIRELEC
Confort et économies d'énergie

TACTIC PANEL HEATER

Overview of contents

- Safety information..... page 2
- General points 4
- Important notes 4
- Minimum clearances..... 4
- Wall installation..... 5
- Electrical connection..... 6
- Operation / Heating mode 6
- Care and maintenance 7
- Technical specifications..... 7
- Conditions of guarantee 7

IMPORTANT

- This manual **MUST** be handed over to the user once installation is complete.
Ensure also that the user receives adequate instruction on the operating and functioning of this electric convector unit.
- The manual must be passed on to the new owner if the unit is sold or otherwise disposed of.

Safety information

Read this Instruction Manual, especially the safety instructions below.

WARNING:

Certain parts of this product may become very hot and may cause burns. Pay extra attention to small children and vulnerable people when they are around the heater.

- This heater may be used by children aged 8 and over and by persons with reduced physical, sensory or mental capacity or without any experience or knowledge providing they are correctly supervised or they have been given instructions on how to use the heater safely and they clearly understand the potential hazards. Children must not play with the heater. Unless supervised, children must not perform user cleaning and maintenance.
- Ensure children aged under 3 are kept at a safe distance unless they are under constant supervision.
- Children aged between 3 and 8 may only turn the heater on or off providing it has been placed or installed in the normal position for its operation and providing they are under supervision or they have been given instructions on how to use the heater safely and clearly understand the potential hazards.
- Children aged between 3 and 8 must not plug in, change the heater settings, clean or perform any user maintenance on the heater.

- The heater risks overheating if it is covered.
- It is therefore strictly forbidden to cover or block the air intakes or outlets at the risk of causing an accident or damaging the heater.

**WARNING:
DO NOT COVER!**



WARNING: Very hot surface!

- Do not insert anything into the heater.
- The heater may only be connected by a qualified person after the power has been switched off.
- All service operations must be performed by a qualified and authorised person after the power has been switched off.
- The installation must include an omnipolar circuit breaker with a contact opening gap of at least 3mm.
- The heater must not be installed underneath a power socket.
- Comply with the minimum installation distances from floors, walls, furniture, etc.
- The power supply must be protected by a residual current device of at least 30mA, especially when installed in a room with a bath or shower.
- When installing the heater in bathrooms, comply with local regulations.
- If the power supply cable is damaged, it must be replaced by the manufacturer, its after-sales service or a person with similar qualifications in order to prevent any potential hazards.

- Avoid installing the heater in a draught which may otherwise affect its thermostat control.
- This direct electric heater is designed for ambient heating of residential type rooms, or similar, in new or existing, single and multi-unit dwellings.



General points

Airelec electric convector units can be used in many different direct-heating applications. Their elegant shape, ease of operation, high heating capacity and reliability all serve to make them a cut above the rest.

These convector units are fitted with operating switches and temperature regulators, thus making them ideal as frost-prevention devices.

Please note that the manufacturer can accept no liability whatsoever in the event of failure to observe the instructions given below. These devices must not be used for any purpose other than that for which they have been designed.

The packaging on you high-performance Olsberg unit, which has been kept to a bare minimum to avoid waste, consists mainly of recyclable materials.

All items of packaging and unit components are identified where legally stipulated and/or possible in order to make eventual scrapping, recycling or disposal easier.

Note: Ensure that all packaging materials, discarded replacement parts and (eventually) the unit itself and its components are correctly disposed of.



Disposal of old heaters

Old electric and electronic devices often contain valuable materials. But they may also contain harmful ingredients which were necessary for their function and security. In normal waste disposal or incorrect treatment they could be harmful to the environment. Please help to protect our environment! Please do not add your old heater to normal waste in any case. Dispose of your old heater according to the local regulations.

Important notes

- Airelec electric convector units are designed to conform to all relevant safety standards and regulations.
- Ensure that **national standards** are observed.
- Local safety regulations should also be taken into account.
- Observe the international safety regulations regarding minimum clearances when installing the unit in rooms equipped with bath or shower.
- When installing the device in a bathroom, ensure that no switch or other operating control can be reached by a person in the bath or shower.
- The temperature regulator cannot be used to disconnect the device from the mains supply.

Minimum clearances

Safety considerations require that the following minimum clearances be maintained with respect to items of furniture and other inflammable objects:

- From cover10cm
- From side panels.....10cm
- From floor.....15cm
- From front panel.....50cm
(hot-air outlet)

The wall-fixing bracket creates a rear-panel clearance of 22mm.

Wall installation

Fit the wall-fixing bracket (fig. 1) in such a way that the convector unit lies in a **horizontal** position when installed. The attachment bracket should be fixed to a level wall surface. Install it onto the wall using 5.5 mm max. \varnothing screws, making sure that it is facing the right way.

Note: Use the wall-fixing bracket as a template for marking the position of the unit and the location of the drill holes.

Type	Dim. L	Dim. B	Dim. C
500W	340	128	106
1000W	420	208	106
1500W	580	178	201
2000W	740	320	210
2500W	900	405	247,5

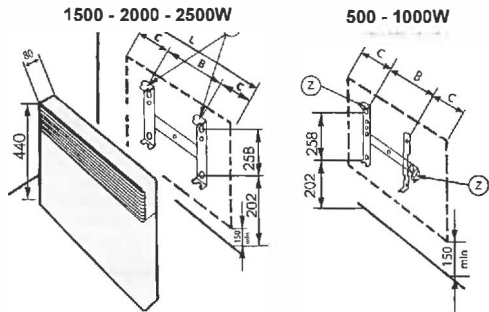


fig.1

Locate the device on the open clips at the bottom, on the wall-fixing bracket, and push in until the spring-loaded catches at the top and/or sides engage in the recesses provided in the rear panel.

To release the spring-loaded catch once it has engaged, push on the upper or lateral clip with a screwdriver or similar (see fig.1 – item Z and fig.2 – item E).

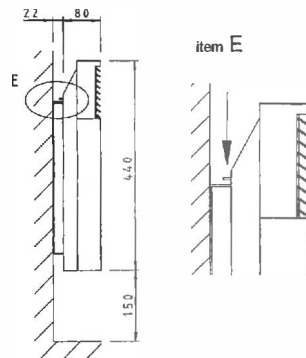


fig.2

Electrical connection

- The device **MUST NOT** be opened during the in-stallation or connection process.
- Connect the cable to the power supply 230/240V to put the heating unit into standby mode.
- **DO NOT** run the cable lead across or above the air outlet grille.

IMPORTANT: Ensure that the wires are fitted correctly to the connecting box terminals.
 Brown: Live/Phase
 Blue: Neutral
 Black: Control wire for remote timer
 Green: Earth

The black wire is to be used only for connection to a remote timer (or diode) for reaching a set back temperature: when applying 230/240V the temperature will be reduced 4°C less than the temperature set on the thermostat.

Operating mode	☼	⊖	*	0
AC signal	—	⌚	—	—
AC signal between black wire and neutral wire	0 Volt	230/240 Volt	-115 Volt	+115 Volt

If the black pilot wire is not being used with a compatible programming or switching device it should be terminated and insulated.

Operation / Heating mode

The operating controls are located in a housing provided for the purpose on the top right-hand side of the rear panel.

The rotating knob is used both to switch the convector unit on, and to select its operating mode (normal mode / temp. reduction phase of around 4.0K) or to use a remote timer.

These convector units are fitted with an electronic regulating system, which permits infinite adjustment of the room temperature to any desired level between 7°C (frost-protection) and 30°C (maximum). This is carried out from the control knob, which is fitted with two moulded-in rear end-stop pins. Release these pins and position them in the corresponding holes to

- fix the position of the knob in any way desired
- establish a new maximum setting, or
- establish a new adjustment range

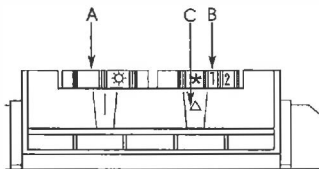


fig.3 Operating controls

- A) Operating/Mode selection switch (control knob)
 Switch settings:
 0 - unit OFF
 ☼ - Normal operation
 ⊖ - Temp. reduction phase of around 4.0°C
 ⌚ - Operation with remote timer
- B) Room thermostat (control knob)
 Markings on control knob:
 * (frost-protection) 1 2 3 4 5 6 7 8 9 (max.)
- C) LED indicator
 (lights up when heating mode is active)

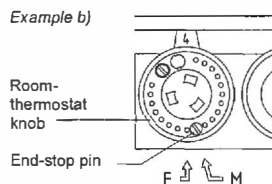
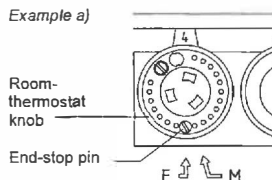


fig.4 Locking device on room-thermostat knob

Example:

- Fixed adjustment to heat setting no. 4:
 Positioning of end-stop pin at "F" mark (on rear side of control housing)
- Maximum adjustment to heat setting no. 4 (i.e. adjustment range of * to 4):
 Positioning of end-stop pin at "M" mark (on rear side of control housing)

Care and maintenance

- Airelec electric convector units do not require any specific maintenance.
- If the unit is operating in places where there is an excess of dust, you are recommended to clean the air inlet and outlet grilles from time to time, using a vacuum-cleaner nozzle attachment to remove any dust deposits.
- DO NOT use abrasive cleaning products to remove dirt from the outer surfaces of the unit. Use a mild household detergent or just a soft, damp cloth.

Technical specifications

- Temperature-setting range.....approx. 7°C to 30°C
- Temperature-reduction phase...ca. 4.0K
- Voltage 1/N ~ 230/240V Class 1
- Protection rating II double insulated
- Protection class IP24 splash-proof

Type	Power (watt)	Dimensions HxWxD ¹⁾ (mm)	Weight (approx. kg)	Room-temperature regulation
A694361	500	440x340x80	3.7	electronic
A694363	1000	440x420x80	4.3	electronic
A694365	1500	440x580x80	5.6	electronic
A694367	2000	440x740x80	6.7	electronic
A694368	2400	440x900x80	7.7	electronic

¹⁾ Dimension D does not include control housing or wall-fixing bracket
Depth of wall-fixing bracket: 22mm

Note: The identification plate is located on the back panel of the device.
When ordering spares, please be sure to indicate the type **and** serial number.

Conditions of Guarantee

Dear customer,

in guarantee case the country specified rights are valid which you may claim directly towards your dealer.

AIRELEC

Confort et économies d'énergie

**PO BOX 7471
CHRISTCHURCH 8240
NEW ZELAND**